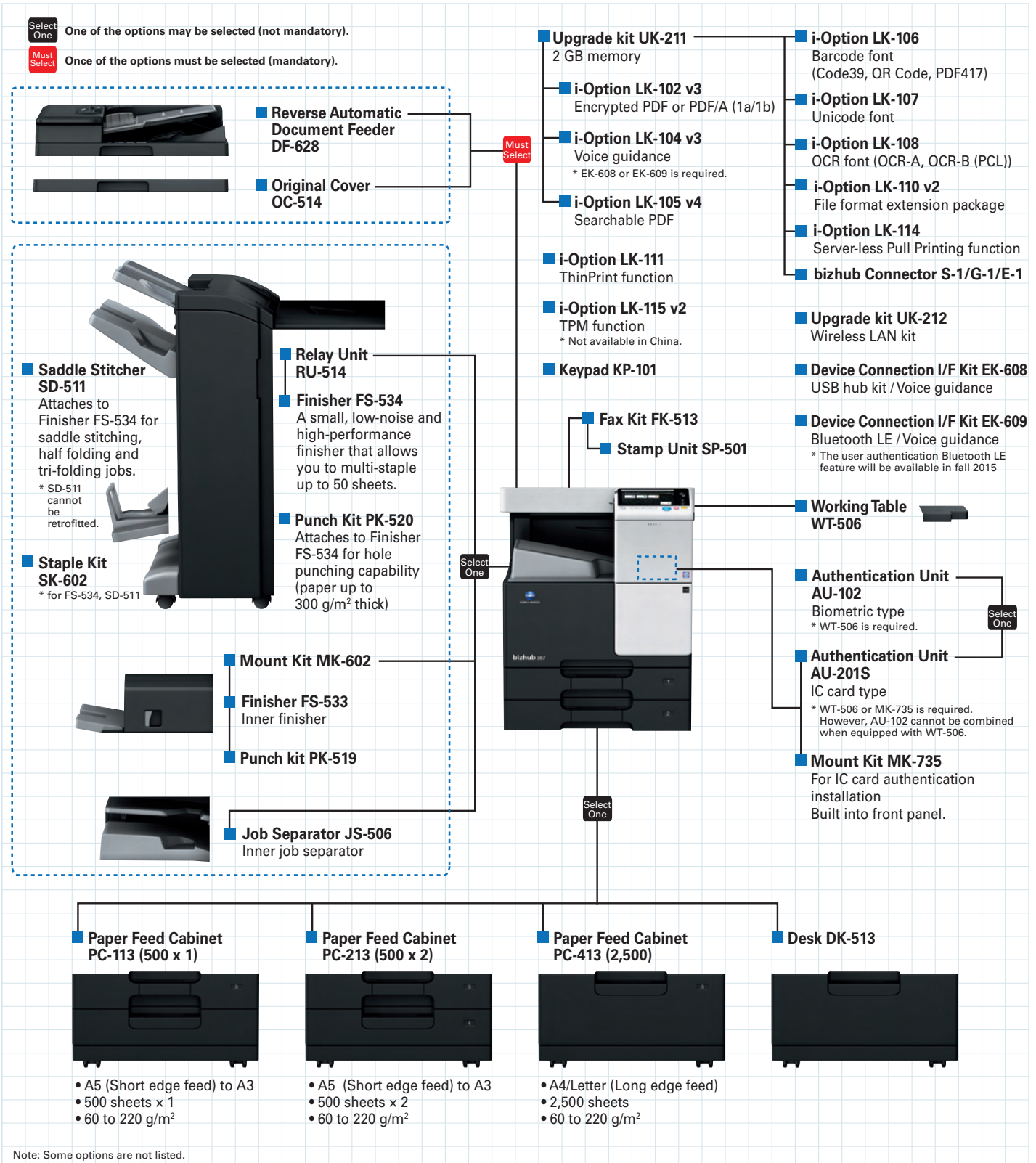




KONICA MINOLTA

bizhub 367/287/227 Spec Sheet

System



Note: Some options are not listed.

Giving Shape to Ideas

Specifications

bizhub 367/287/227 General Specifications

		bizhub 367	bizhub 287	bizhub 227
Type	Desktop Printer / Copier / Scanner			
Copy Resolution	Scan	Main: 600 dpi x Sub: 600 dpi		
	Print	1,800 dpi (equivalent) x 600 dpi		
Gradation	256			
Memory Capacity (Std./Max.)	2 GB/4 GB			
HDD	250 GB (optional)			
Original Type	Sheets, Books, Objects			
Max. Original Size	A3 (11" x 17")			
Output Size	Main unit: A3 to A5, 11" x 17" to 8-1/2" x 11", 5-1/2" x 8-1/2", 8" x 13" ¹ , 16K, 8K Bypass Tray: A3 to A5, B6 ² , A6 ² , 11" x 17" to 5-1/2" x 8-1/2", 8" x 13" ¹ , 16K, 8K, Postcard (A6 (4" x 6" Card)), Envelope ³ , Label sheet, Tab paper ⁴			
Image Loss	Max. 4.2mm or less for top edge (5 mm for thin paper), Max. 3.0mm or less for bottom edge, Max. 3.0mm or less for right/left edges ¹ A loss of 4.2 mm each during printing.			
Warm-Up Time ⁵ (23°C, std. voltage)	20 sec. or less			
⁶ The time required to start printing when both the main power and sub-power switches are turned from OFF to ON.	15 sec. or less			
⁷ The time required to start printing when the main power switch is ON and the sub-power switch is turned from OFF to ON.				
First Copy Out Time ⁸	4.5 sec. or less		5.3 sec. or less	
Copy Speed (A4)	36 ppm		28 ppm	
Copy Magnification	Fixed Same Magnification	1: ±0.5% or less		
	Scaling Up	1: 1.154/1.224/1.414/2.000		
	Scaling Down	1: 0.866/0.816/0.707/0.500		
	Preset	3 types		
	Zoom	25 to 400% (in 0.1% increments)		
	Lengthwise Crosswise Individual Settings	25 to 400% (in 0.1% increments)		
Paper Capacity (80 g/m ²)	Tray 1	500 sheets (up to B4)		
	Tray 2	500 sheets (up to A3)		
	Multiple Bypass Tray	100 sheets (up to A3)		
Max. Paper Capacity (80 g/m ²) ⁹	3,600 sheets			
Paper Weight	Tray 1 / 2	60 to 220 g/m ²		
	Multiple Bypass Tray	60 to 220 g/m ²		
Multiple Copy	1 to 9,999 sheets			
Auto Duplex	Paper Size	A3 to A5 ² , B5 ¹ , 11" x 17" ² to 5-1/2" x 8-1/2" ² , 7-1/4" x 10-1/2", 8" x 13" ² , 16K, 8K ²		
	Paper Weight	60 to 209 g/m ²		
Power Requirements	AC230 V 7 A (50 to 60 Hz)			
Max. Power Consumption	1.5 kW or less			
Dimensions [W] x [D] x [H]	585 x 660 x 735 mm (23-1/16" x 26" x 28-15/16")			
Weight	Approx. 56.5 kg (124-1/2 lb)			
Space Requirements [W] x [D] ¹⁰	899 x 1,172 mm (35-1/2" x 46-1/4")			

¹ There are six types of fooscap: 8-1/2" x 13-1/2"², 220 mm x 330 mm², 8-1/2" x 13"², 8-1/4" x 13"², 8-1/8" x 13-1/4"², and 8" x 13"². Any one of these sizes is selectable. For details, contact your service representative.

² Short edge feed

³ Wrinkles or printing errors may occur due to the type, storage or environment that exists when envelope printing is carried out.

⁴ May vary depending on the operating environment and usage.

⁵ A4 long edge feed full size/using the first tray/scanning from the original glass surface.

⁶ With options installed.

⁷ Long edge feed

⁸ Without options, with paper trays pulled out and multiple bypass tray open.

Printer Specifications

Type	Embedded	
CPU	ARM Cortex-A7 Dual-core 1.2GHz	
Memory	Shared with the copier	
Print Speed	Same as Copy Speed (when using the same original)	
HDD	250 GB (Shared with the copier)	
Print Resolution	1,800 dpi (equivalent) x 600 dpi	
PDL	PCL 6, PostScript 3 Emulation, XPS	
Protocol	TCP/IP, IPX/SPX (NDIS support), SMB (NetBEUI), LPD, IPP1.1, SNMP, AppleTalk	
Support OS	Windows Vista ¹ / 7 ¹ / 8 ¹ / 8.1 ¹ Windows Server 2003 ¹ / 2003 R2 ¹ / 2008 ¹ / 2008 R2 / 2012 / 2012 R2 Mac OS X (10.6 / 10.7 / 10.8 / 10.9 / 10.10) Linux	
Fonts	PCL	80 Roman fonts
	PS	137 Roman Type1 fonts
Interface	Ethernet (10BASE-T/100BASE-TX/1000BASE-T), USB 1.1, USB 2.0, IEEE 802.11 b/g/n ²	

¹ Supports the 32-bit (x86) or 64-bit (x64) environment.

² Optional

Scanning Specifications

Type	Full-Colour Scanner	
Interface	Ethernet (10BASE-T/100BASE-TX/1000BASE-T), IEEE 802.11 b/g/n ¹	
Driver	TWAIN Driver, HDD TWAIN Driver	
Protocol	TCP/IP (FTP, SMB, SMTP, WebDAV) (IPv4/IPv6)	
Scanning Speed (Colour/B&W) (300 dpi, A4, Simplex)	45 opm ²	
Scanning Size	Max. A3 (11" x 17")	
Output Format	TIFF, JPEG, PDF, Compact PDF, XPS, Compact XPS, OOXML (pptx, xlsx ¹ , docx ¹), Searchable PDF ¹ , PDF/A ¹ , Linearised PDF ¹	
Scanning Resolution	Push	200 dpi / 300 dpi / 400 dpi / 600 dpi
	Pull	100 dpi / 200 dpi / 300 dpi / 400 dpi / 600 dpi
Main Functions	Scan to E-Mail, Scan to FTP, Scan to BOX (HDD), Scan to PC (SMB), Network TWAIN, Scan to WebDAV, Scan to USB, Scan to Scan Server, Scan to Web Service (WSD-Scan), Device Profile for Web Services (DPWS)	
Other Functions	Multi-Method Send, Authentication at the time of E-Mail send (SMTP authentication, POP before SMTP), S/MIME, Annotation	

¹ Optional

² When using the Reverse Automatic Document Feeder DF-628.

Internet Fax

Protocol	TX: SMTP, RX: POP3, TCP/IP Simple mode
Connection Mode	Full-Mode
Sending Paper Size	A3, B4, A4
Recording Paper Size	Max. A3
Resolution	B/W: 200 x 100 dpi, 200 x 200 dpi, 400 x 400 dpi, 600 x 600 dpi Colour: 200 x 200 dpi, 400 x 400 dpi, 600 x 600 dpi
Interface	Ethernet (10BASE-T/100BASE-TX/1000BASE-T)
Colour	Support Colour Internet Fax
Format	B/W: TIFF-F Colour: TIFF (Conforms to RFC3949 Profile-C)

Fax Kit FK-513 (Optional)

Communication	Super G3
Compatible Lines	Public Switch Telephone Network, Private Branch Exchange, Fax Communication Line
Line Density	Ultra Fine: 600 dpi 600 dpi Super Fine: 16 dot/mm 15.4 line/mm, 400 dpi 400 dpi Fine: 8 dot/mm 7.7 line/mm, 200 dpi 200 dpi Normal: 8 dot/mm 3.85 line/mm
Modem Speed	2.4 to 33.6 kbps
Compression	MH/MR/MMR/JBIG
Sending Paper Size	Max. A3 (Long Length Support: Max. 1,000 mm)
Recording Paper Size	Max. A3 (Long Length Max. 1,000 mm — following the page division —)
Transmission Speed	Less than 2 sec. (A4, V34, 33.6 kbps, JBIG)
Memory	Shared with the copier
Number of Abbr. Dials	2,000
Number of Program Dials	400
Number of Group Dials	100
Sequential Multiple Station Transmission	Max. 600

IP Address Fax ¹Optional Fax Kit FK-513 is required.

Protocol Transmission	TCP/IP SMTP
Sending Paper Size	A3, B4, A4
Resolution	200 x 200 dpi, 400 x 400 dpi, 600 x 600 dpi
Format	B/W: TIFF-F, TIFF-S Colour: TIFF, PDF

Reverse Automatic Document Feeder DF-628 (Optional)

Type	Circulatory duplex system	
Support Paper Size	Max. A3 (Fax mode: Max. 1,000 mm)	
Mixed Size	Support	
Original Set	Centre guide	
Support Paper Weight	Simplex: 35 to 128 g/m ² Duplex/Mixed Original: 50 to 128 g/m ²	
Paper Capacity	Max. 130 sheets (68 g/m ²)	
Productivity (A4, Simplex)	Simplex	Colour/B&W: 36 opm
	Duplex	Colour/B&W: 17 opm
Power Requirements	Supplied from the MFP main body	
Dimensions [W] x [D] x [H]	585 x 504 x 127 mm (23" x 19-3/4" x 5")	
Weight	Approx. 9 kg (19-3/4lb)	



Specifications

Finisher FS-533 (Optional) *Optional Mount Kit MK-602 is required.



Type	Finisher
Support Paper Type	Plain paper (60 to 90 g/m ²), Thick paper (91 to 220 g/m ²), Transparency, Envelope, Label sheet, Letterhead paper, Tab paper
Support Paper Size	A3 to A5, B6 ¹ , A6 ¹ , 11" x 17" to 5-1/2" x 8-1/2", 16K, 8K, Postcard (A6 4" x 6" Card)
Mode	Sort, Group, Offset Sort, Offset Group, Staple
Stacking Capacity	500 sheets (60 to 90 g/m ² , A4 ¹ or smaller) 250 sheets (60 to 90 g/m ² , B4 or larger) 10 sheets (91 to 220 g/m ² , special paper)
Staple Capacity	50 sheets (60 to 90 g/m ² , A4 ¹ or smaller) 30 sheets (60 to 90 g/m ² , B4 or larger) 2 sheets (91 to 209 g/m ² , as cover pages)
Power Requirements	Supplied from the MFP main body
Max. Power Consumption	40 W or less
Dimensions [W] x [D] x [H]	472.5 x 583.5 x 194.7 mm (18-1/2" x 23" x 7-3/4")
Weight	Approx. 12 kg (26-1/2 lb)

*1 Short edge feed

Punch Kit PK-519 (Optional)



Applicable	Finisher FS-533
Number of holes	2 holes or 4 holes
Support Paper Type (Weight)	Plain paper (60 to 90 g/m ²), Thick paper (91 to 157 g/m ²)
Support Paper Size	A3 to B5, 11" x 17" to 7-1/4" x 10-1/2"
Power Requirements	Supplied from Finisher FS-533
Dimensions [W] x [D] x [H]	110.2 x 483.5 x 203.2 mm (4-1/2" x 19" x 8")
Weight	Approx. 3.2 kg (7 lb)

Job Separator JS-506 (Optional)



Support Paper Type (Weight)	Tray 1	Plain paper (60 to 90 g/m ²), Thick paper (91 to 220 g/m ²), Transparency, Envelope, Label sheet
	Tray 2	Plain paper (60 to 90 g/m ²), Thick paper (91 to 220 g/m ²), Transparency, Envelope, Label sheet
Support Paper Size	A3 to A5, B6 ¹ , A6 ¹ , 11" x 17" to 5-1/2" x 8-1/2", 16K, 8K, Postcard (A6 4" x 6" Card)	
Stacking Capacity	Tray 1	100 sheets (60 to 90 g/m ²)
	Tray 2	150 sheets (60 to 90 g/m ²)
Power Requirements	Supplied from MFP main body	
Max. Power Consumption	24 W or less	
Dimensions [W] x [D] x [H]	451 x 469 x 227 mm (17-3/4" x 18-1/2" x 9")	
Weight	Approx. 1.5 kg (3-1/4 lb)	

*1 Short edge feed

Finisher FS-534 (Optional)



Type	Finisher	
Support Paper Type	Plain paper (60 to 90 g/m ²), Thick paper (91 to 220 g/m ²), Transparency, Envelope, Label sheet, Letterhead paper, Tab paper	
Support Paper Size	A3 to A5, B6 ¹ , A6 ¹ , 11" x 17" to 5-1/2" x 8-1/2", 16K, 8K, Postcard (A6 4" x 6" Card)	
Mode	Sort, Group, Offset Sort, Offset Group, Staple	
Stacking Capacity	Output tray 1 (Sub tray)	200 sheets (60 to 90 g/m ²) 20 sheets (91 to 220 g/m ² , special paper)
	Output tray 2 (Main tray)	3,000 sheets (60 to 90 g/m ² , A4 ¹ or smaller, B5 or larger) <small>*2,000 sheets when SD-511 is installed</small> 1,500 sheets (60 to 90 g/m ² , B4 or larger) 500 sheets (60 to 90 g/m ² , A5 or smaller) 20 sheets (91 to 220 g/m ² , special paper)
	Output tray 3 (Relay Unit top surface)	100 sheets (60 to 90 g/m ²) 20 sheets (91 to 220 g/m ² , special paper)
	Staple Capacity	50 sheets (Plain Paper 60 to 90 g/m ²) 48 sheets (Plain paper 60 to 90 g/m ²) + 2 sheets (Thick paper 91 to 209 g/m ²) 30 sheets (Thick paper 91 to 120 g/m ²) 15 sheets (Thick paper 121 to 209 g/m ²)
Power Requirements	Supplied from the MFP main body	
Max. Power Consumption	56 W or less	
Dimensions [W] x [D] x [H]	528 x 641 x 1,023 mm (20-3/4" x 25-1/4" x 40-1/4")	
Weight	Approx. 40 kg (88-1/4 lb)	

*1 Short edge feed

Saddle Stitcher SD-511 (Optional)



Applicable	Finisher FS-534
Support Paper Type	Centre Staple: 60 to 90 g/m ² Half-Fold: 60 to 209 g/m ² (more than 91 g/m ² Thick paper can be used only as a cover page) Tri-Fold: 60 to 90 g/m ²
Support Paper Size	Centre Staple, Half-Fold: A3, B4, A4 ¹ , 11" x 17", 8-1/2" x 14", 8-1/2" x 11" ¹ , 8K Tri-Fold: A4 ¹ , 8-1/2" x 11" ¹ , 16K ¹
Maximum Number of Sheets that can be Centrestapled	20 (60 to 90 g/m ²) sheets, or 19 (90 g/m ²) sheets + Thick (209 g/m ²) 1 sheet
Maximum Number of Folded Sheets	Half-Fold: 5 sheets or Thick (91 to 209 g/m ²) 1 sheet, Tri-Fold: 3 sheets
Stacking Capacity	1 to 3 sheets: 20 sets 4 to 10 sheets: 10 sets 11 to 20 sheets: 5 sets Tri-Fold (1 sheet): 30 sets Tri-Fold (2-3 sheets): 10 sets
Power Requirements	Supplied from Finisher FS-534
Dimensions [W] x [D] x [H]	210 x 556 x 547 mm (8-1/2" x 21-3/4" x 21-1/2")
Weight	Approx. 24 kg (53 lb)

*1 Short edge feed

Punch Kit PK-520 (Optional)



Applicable	Finisher FS-534
Number of holes	2 holes or 4 holes
Support Paper Type (Weight)	Plain paper (60 to 90 g/m ²), Thick paper (91 to 220 g/m ²)
Support Paper Size	A3 to B5, 11" x 17" to 7-1/4" x 10-1/2", 16K, 8K
Power Requirements	Supplied from Finisher FS-534
Dimensions [W] x [D] x [H]	61 x 492 x 142 mm (2-1/2" x 19-1/2" x 5-1/2")
Weight	Approx. 1.8 kg (4 lb)

Paper Feed Cabinet PC-113 (Optional)



Support Paper Type (Weight)	Plain paper (60 to 90 g/m ²) Thick paper (91 to 220 g/m ²)
Support Paper Size	A3 to A5 ¹ , 11" x 17" to 5-1/2" x 8-1/2", 8" x 13", 16K, 8K
Paper Capacity Top tray (Tray 3)	Plain paper: 500 sheets, Thick paper: 150 sheets
Power Requirements	Supplied from the MFP main body
Dimensions [W] x [D] x [H]	615 x 652 x 246 mm (24-1/4" x 25-3/4" x 9-3/4")
Unit Configuration	Paper tray, 1 level
Weight	Approx. 22 kg (48-1/2 lb)

*1 Short edge feed

Paper Feed Cabinet PC-213 (Optional)



Support Paper Type (Weight)	Plain paper (60 to 90 g/m ²) Thick paper (91 to 220 g/m ²)
Support Paper Size	A3 to A5 ¹ , 11" x 17" to 5-1/2" x 8-1/2", 8" x 13", 16K, 8K
Paper Capacity Top tray (Tray 3)	Plain paper: 500 sheets, Thick paper: 150 sheets
	Bottom tray (Tray 4)
Power Requirements	Supplied from the MFP main body
Dimensions [W] x [D] x [H]	615 x 652 x 246 mm (24-1/4" x 25-3/4" x 9-3/4")
Unit Configuration	Paper tray, 2 level
Weight	Approx. 24 kg (53 lb)

*1 Short edge feed

Paper Feed Cabinet PC-413 (Optional)



Support Paper Type (Weight)	Plain paper (60 to 90 g/m ²) Thick paper (91 to 220 g/m ²)
Support Paper Size	A4 ¹ , 8-1/2" x 11" ¹
Paper Capacity	Plain paper: 2,500 sheets, Thick paper: 1,000 sheets
Power Requirements	Supplied from the MFP main body
Dimensions [W] x [D] x [H]	615 x 652 x 246 mm (24-1/4" x 25-3/4" x 9-3/4")
Unit Configuration	Paper tray, 2 level
Weight	Approx. 23 kg (50-3/4 lb)

*1 Long edge feed

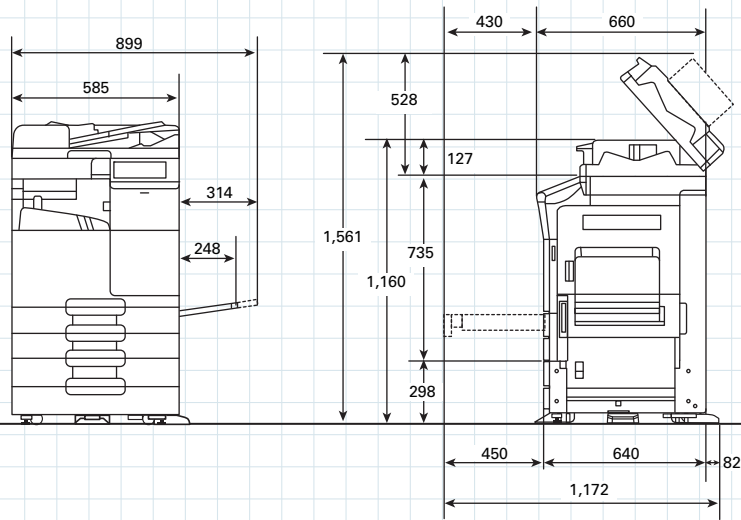
Authentication Unit (IC Card type) AU-201S (Optional)

Applicable Card	ISO 14443 TypeA/B Mifare, FeliCa-based noncontact IC card, ISO 18092-based device
Interface	USB 2.0
Power Supply	Power received from USB port
Dimensions [W] x [D] x [H]	98 x 64 x 13 mm (3-7/8" x 2-1/2" x 1/2") (not including projections)
Weight	Approx. 100 g (1/4 lb)

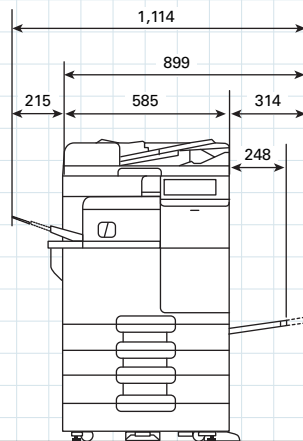
Authentication Unit (Biometric type) AU-102 (Optional)

Biometric Sensor System	Transmission-type optical system
Interface	USB 2.0
Verification Time	Approx. 1 sec. or less
Max. Power Consumption	DC 5 V 500 mA
Dimensions [W] x [D] x [H]	59 x 82 x 74 mm (2-1/4" x 3-1/4" x 3")
Weight	Approx. 96 g (1/4 lb) (excluding USB cable)

■ bizhub 367/287/227 + DF-628 + PC-213 (PC-113/PC-413/DK-513)



■ bizhub 367/287/227 + DF-628 + PC-213 (PC-113/PC-413/DK-513) + FS-533



■ bizhub 367/287/227 + DF-628 + PC-213 (PC-113/PC-413/DK-513) + FS-534 + SD-511

